

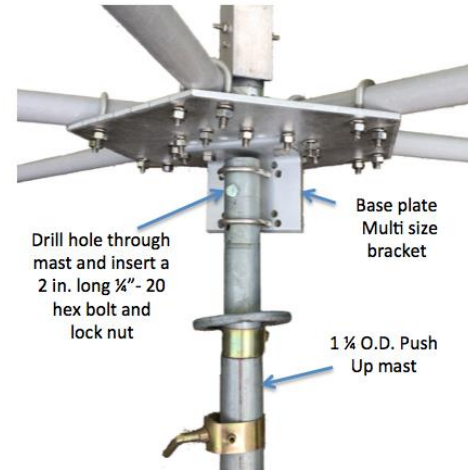
## Conversion of bottom flange baseplate to bracket assembly

June 2016

Old bottom flange



New bottom flange/U-bolts



To convert the bottom flange to a bracket assembly, the beam does not have to be disassembled but does need to be removed from the mast, of course.

1. Loosen the four nuts securing the flanges. Remove the bottom flange while leaving the bolts in place.
2. Install the new bracket on two diagonal flange bolts. The bracket will be oriented on the diagonal from the top flange on the underside. Tighten all flange and bracket mounting nuts.
3. Install the two U bolts supplied with the U bolt kit on the new bracket so that the mast will be oriented on the inside of the bracket in line with the top flange, not the backside of the bracket.
4. The beam may now be installed on the mast. Adjust the U bolt nuts evenly so as to result in level alignment of the base plate when the mast is vertical.
5. Drill a 1/4 inch hole through the mast using the center hole on the bracket as a guide. Install the pinning bolt supplied with the U bolt kit using the nyloc nut to secure the pinning bolt.
6. If there is a large flange on the bottom instead of the regular flange, remove it entirely along with all four of its bolts. Then proceed as in Step 2. above.